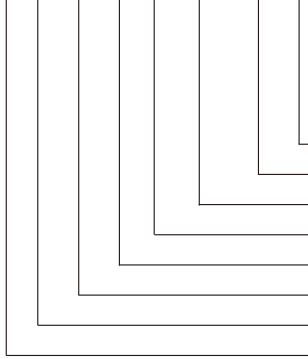


## Product Selection Guide

EK U5 - T2 - 40 PV - 2M - 600 S



- With Remote Signaling
- Uc: 600: DC600V, 1000: DC1000V, 1500: DC1500V
- No. of Module: 2:2Module, 3:3Module
- Solar PV System
- I.max: 40kA
- Classification T2
- SPD serie No.5
- Company Code



EKU5-T2-40PV  
2P(600VDC)



EKU5-T2-40PV  
2P(1000VDC)

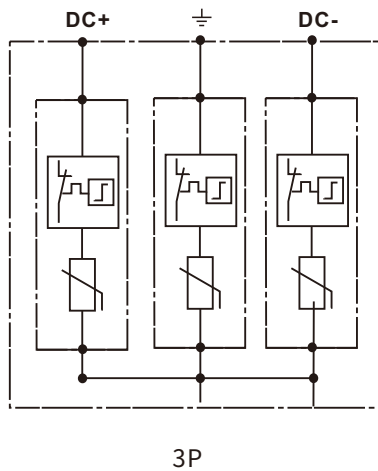
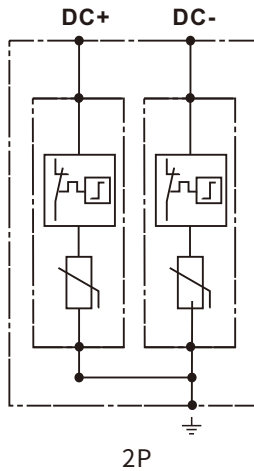


EKU5-T2-40PV  
3P(1000VDC)



EKU5-T2-40PV  
3P(1500VDC)

## Basic circuit diagram



## SPD Type Reference List

| No. of Poles                 | Max. Continuous Operating DC Voltage |                      |                      |
|------------------------------|--------------------------------------|----------------------|----------------------|
|                              | 600VDC                               | 1000VDC              | 1500VDC              |
| 2Module                      | EKU5-T2-40PV-2M600                   | EKU5-T2-40PV-2M1000  | -                    |
| 3Module                      | -                                    | EKU5-T2-40PV-3M1000  | EKU5-T2-40PV-3M1500  |
| <b>With Remote Signaling</b> |                                      |                      |                      |
| 2Module                      | EKU5-T2-40PV-2M600S                  | EKU5-T2-40PV-2M1000S | -                    |
| 3Module                      | -                                    | EKU5-T2-40PV-3M1000S | EKU5-T2-40PV-3M1500S |

## Technical Data

| SPD classification according to IEC/EN61643-31 |                  | T2                      | T2      | T2      |
|--|------------------|-------------------------|---------|---------|
| Max. continuous operating a.c.voltage          | Uc <sub>pv</sub> | 600VDC                  | 1000VDC | 1500VDC |
| Norminal discharge current (8/20μs)            | I <sub>n</sub>   | 20kA                    | 20kA    | 20kA    |
| Maximum discharge current (8/20μs)             | I <sub>max</sub> | 40kA                    | 40kA    | 40kA    |
| Voltage protection level DC+/DV-to PE          | U <sub>p</sub>   | 2Mods                   | ≤2.6kV  | ≤4.0kV  |
|  |                  | 3Mods                   | -       | ≤4.0kV  |
| Response time                                  | t <sub>A</sub>   | ≤25ns                   | ≤25ns   | ≤25ns   |
| Operating temperature range                    | T <sub>u</sub>   | -40°C~80°C              |         |         |
| Operating State/Fault Indication               |                  | Green/Red               |         |         |
| Cross-section area (Min.)                      |                  | 4mm <sup>2</sup>        |         |         |
| Cross-section area (Max.)                      |                  | 35mm <sup>2</sup>       |         |         |
| For mounting on                                |                  | 35mm Din rail           |         |         |
| Enclosure material                             |                  | Thermal Plastic UL94-V0 |         |         |
| Degree of Protection                           |                  | IP20                    |         |         |
| No. of Moudles                                 |                  | 2P(2Mods),3P(3Mods)     |         |         |

## Overall and Installation Dimension(mm)

